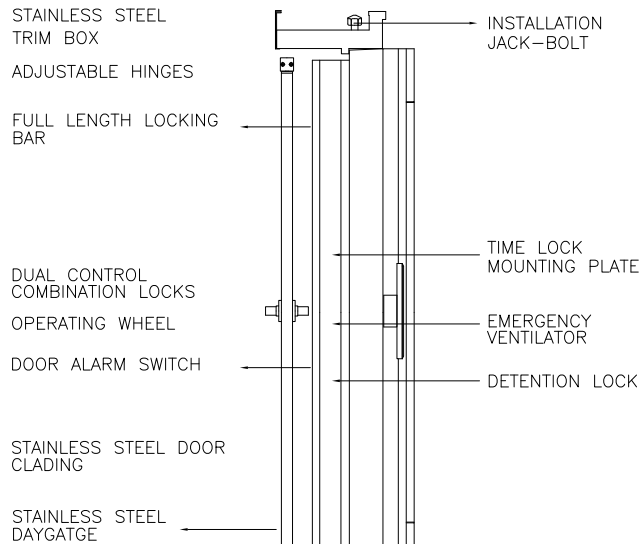
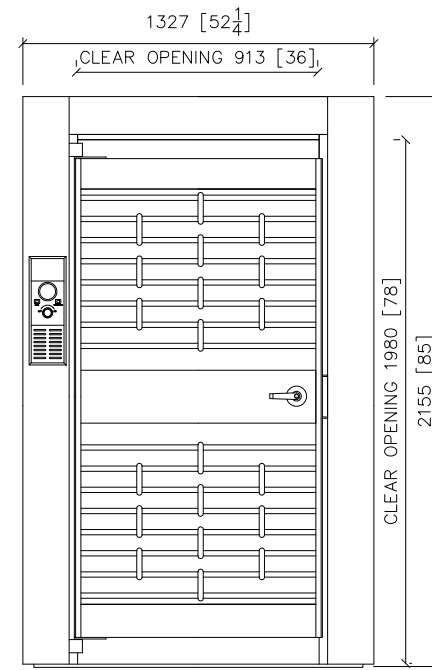


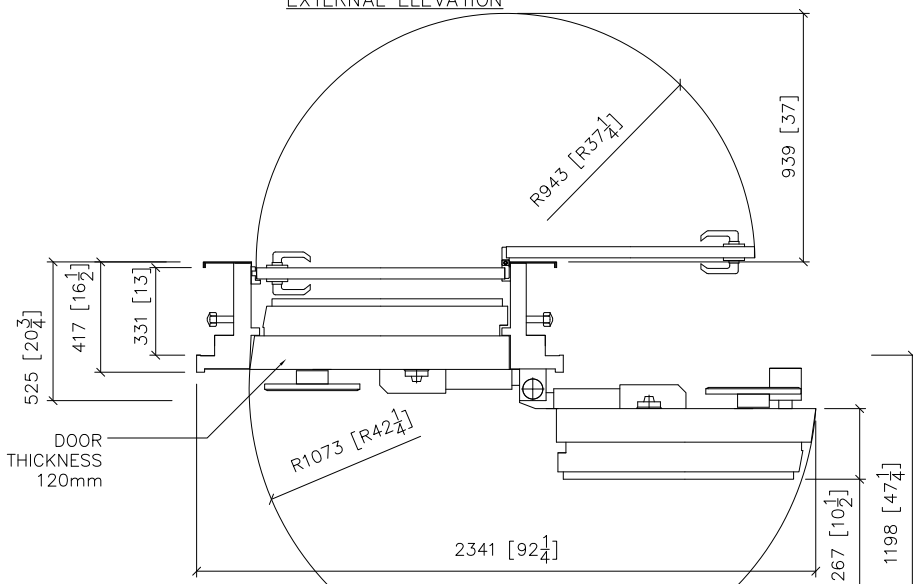
EXTERNAL ELEVATION



SECTION



INTERNAL ELEVATION



PLAN VIEW

SPECIFICATIONS:

UL LISTED:
UL CLASS 2 LISTED VAULT DOOR.

TIME LOCK(OPTION):
UL LISTED THREE MOVEMENT ANTI-SHOCK TIME LOCK WITH EMERGENCY RELEASE.

EMERGENCY VENTILATOR:
EMERGENCY VENTILATOR .

LOCKS:
UL LISTED GROUP 1, 4-Wheel COMBINATION LOCKS.
(STANDARD) DUAL CONTROL COMBINATION LOCKS SYSTEM .
(OPTION) TRIPLE CONTROL COMBINATION LOCKS SYSTEM.

SURFACE:
ALL EXPOSED METAL SURFACE ARE FINISH IN GLEAMING STAINLESS STEEL INCLUDING THE MASSIVE FULL LENGTH LOCKING BAR. DOOR EDGE AND JAMB AREA.

WEIGHT: 1568Kg (3456 LBS)

X YOUNG AMM



REVISION	DATE	DESCRIPTION	DRAWN BY	DESIGNED BY	SCALE	PROJECT	DRAWING NAME	PROJECT No.	DRAWING No.
-	-	-	EMMA	-	NIL	-	STANDARD VAULT DOOR	-	-
			CHECKED BY	APPROVAL	DATE		UL CLASS 2 RIGHT SWING		SV-010302
			-	-	2008-2-19				